



Product designation Power contactor
Product type designation DPBF18

Contact characteristics

Number of poles	Nr.	3
Operational frequency	min	Hz 25
	max	Hz 400

Mechanical features

Operating position	normal allowable	Vertical plan ±30°
Fixing		Screw / DIN rail 35mm
Weight	g	354

Operations

Mechanical life	cycles	20000000
Electrical life	cycles	1600000

Safety related data

Performance level B10d according to EN/ISO 13489-1	rated load mechanical load	cycles	1600000
		cycles	20000000
Mirror contacts according to IEC/EN 609474-4-1			yes
EMC compatibility			yes

AC coil operating

Rated AC voltage at 60Hz	V	230	
AC operating voltage of 60Hz coil powered at 60Hz	pick-up	min	%Us 80
		max	%Us 110
	drop-out	min	%Us 20
		max	%Us 55

AC average coil consumption at 20°C of 60Hz coil powered at 60Hz	in-rush	VA	75
	holding	VA	9

Dissipation at holding =20°C 50Hz	W	2.5
-----------------------------------	---	-----

Max cycles frequency

Mechanical operation	cycles/h	3600
----------------------	----------	------

Operating times

Average time for Us control in AC Closing NO	min	ms	8
--	-----	----	---

Opening NO	max	ms	24
	min	ms	10
Closing NC	max	ms	20
	min	ms	14
Opening NC	max	ms	28
	min	ms	7
	max	ms	18

UL technical data

Full-load current (FLA) for three-phase AC motor

at 600V A 30

Yielded mechanical performance

for single-phase AC motor

110/120V HP 2
230V HP 5

for three-phase AC motor

200/208V HP 7.5
220/230V HP 7.5
460/480V HP 15
575/600V HP 20

General USE

Contactor

AC current A 32

Auxiliary contacts

AC voltage V 600
AC current A 10
DC voltage V 250
DC current A 1

Short-circuit protection fuse, 600V

Standard fault

Short circuit current kA 5
Fuse rating A 100
Fuse class RK5

Contact rating of auxiliary contacts according to UL

A600 - P600

Ambient conditions

Temperature

Operating temperature

min °C -50
max °C 70

Storage temperature

min °C -60
max °C 80

Max altitude

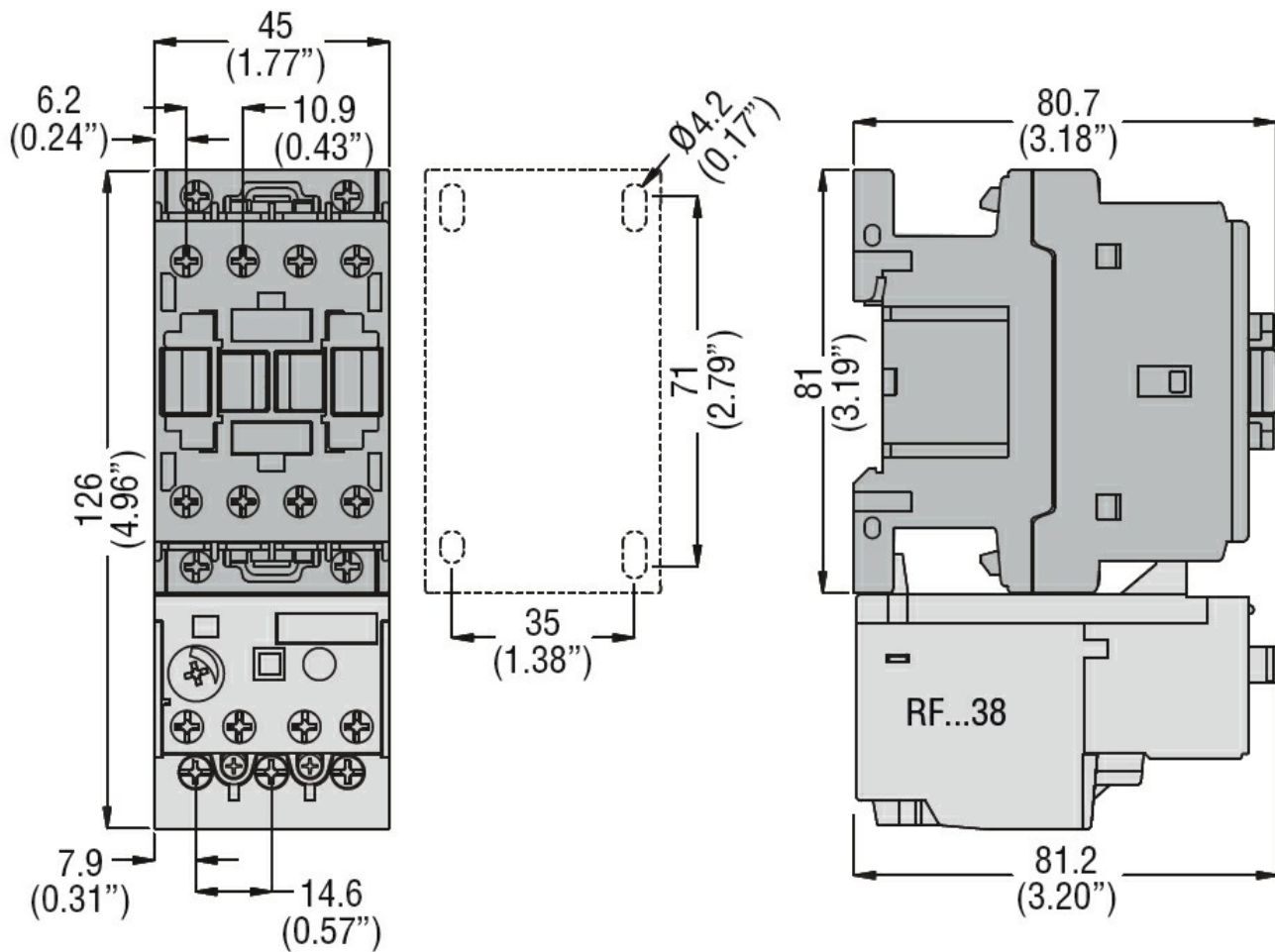
m 3000

Resistance & Protection

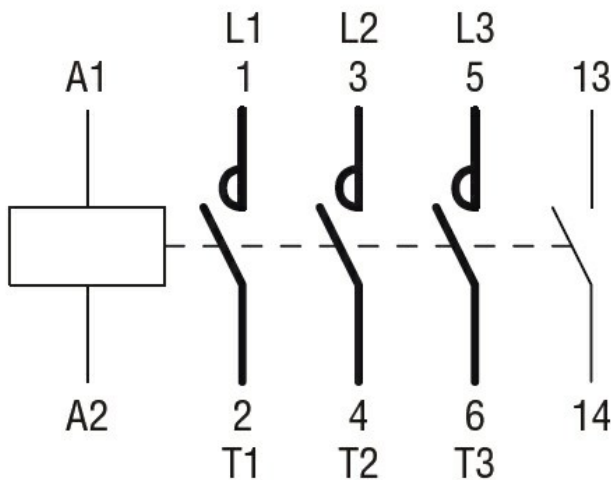
Pollution degree

3

Dimensions



Wiring diagrams



Certifications and compliance

Compliance

- CSA C22.2 n° 60947-1
- CSA C22.2 n° 60947-4-37
- UL 60947-1
- UL 60947-4-1

Certificates

cULus

ETIM classification

ETIM 8.0

EC000066 -
Power contactor,
AC switching